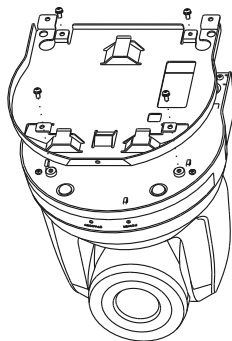


VC-A50P Quick Installation Guide

1. I would like to install Camera on the ceiling

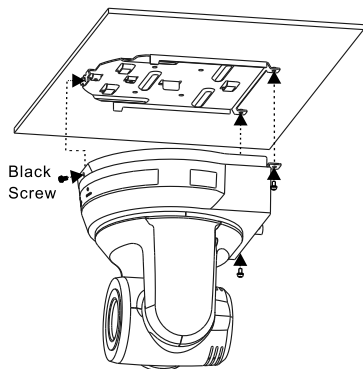
1.1 Prepare for the parts and equipment required during the installation

- ▶ Accessories of Camera in the box (metal plates A, B, M3 screw silver x 8, black x 2)
- ▶ Screw for locking on ceiling mounted hanger x 4
- ▶ Drilling machine, screw driver, ladder



1.2 Installation steps

1. Please adjust resolution on DIP Switch at first. (Please refer to 2. Instruction on DIP SWITCH Setting)
2. Fix the metal plate A on the machine base with 4 M3 silver screws.



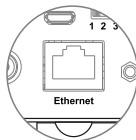
3. Lock the metal plate B on ceiling mounted hanger

※Caution:
※Please use the hanger that has obtained UL security approval.

4. Combine the metal plate A and the metal plate B
 - ▶ Push the metal plate A up to the ceiling and then to the right to latch the metal plate B.
 - ▶ And then secure with 2 M3 silver screws and 1 M3 black screw.

1.3 Connecting to the Network

1. Connect a network cable to the Ethernet port of VC-A50P to connect the VC-A50P to the local network.

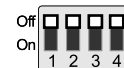


1.4 Initiation

1. Launch a browser and enter the address of VC-A50P in the address bar. E.g. <http://192.168.100.150> (Default IP address)
2. Enter the administrator account and password to begin using the camera
 - Account: admin
 - Password: 9999
 - ※ Lumens VMS, VLC, Quicktime, and other software can also be used to connect to the camera.
 - ※ To use the Lumens VMS, please visit the Lumens website to download the software and its user manual.

2. Instruction on DIP SWITCH Setting

2.1 OUTPUT SWITCH 2.2 IR SELECT

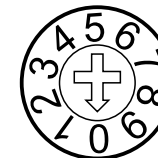


Output Mode	Setting
1920x1080/60p	
1920x1080/50p	
1920x1080/30p	
1920x1080/25p	
1920x1080/60i	
1920x1080/50i	
1280x720/60p	
1280x720/50p	
1080/59.94p	
1080/59.94i	
1080/29.97p	
720/59.94p	



ID	Setting
1	
2	
3	

2.3 Camera Address Selector



Setting	Function Descriptions
0~7	ID 0~7
8~9	Reserved

2.4 System Switch

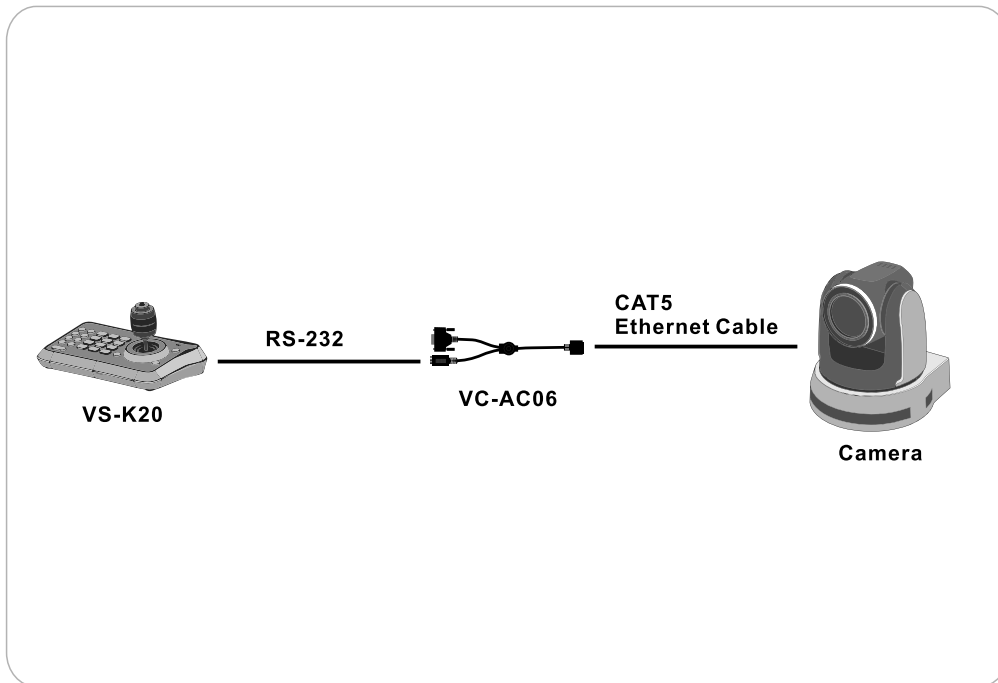


Setting	Function Descriptions
DIP 1	RS-232C/RS-422 selector OFF: RS-232C / ON : RS-422
DIP 2	Infrared signal output switch OFF: Off / ON : On
DIP 3	Communication baud rate selector OFF: 9600 / ON : 38400
DIP 4	Reserved

3. Single Camera Connection

Device List

- Lumens VC-A50P x1
- VS-K20 Keyboard Controller(Optional) x1
- VC-AC06 Control Signal Extender(Optional) x1



4. Multi-Camera Connection

Device List

- Lumens VC-A50P x1-7
- Router(Optional) x1
- IP Controller(Optional) or Computer x1

